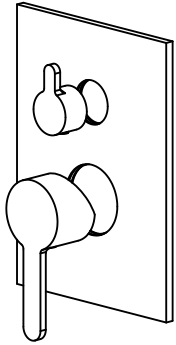
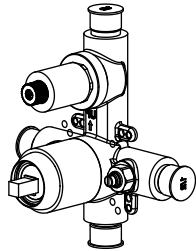


180.2100 | Tub / Shower Trim Set With Pressure Balance Valve & 2-Way Diverter with Integrated Volume Control



+



Trim
[180.2100T**]

Valve
[PBV1005A**]

** Denotes Finish (CP, BN, etc.)

SPECIFICATIONS:

- Includes Pressure balance valve (PBV1005A**) w/ service stops
- Lift Handle to control volume. Turn left for hot, right for cold.
- Small knob controls 2-way water diversion
- Pressure Balance Valve Flow Rate - 5.5 GPM @ 60 PSI
- Extension Available - PBV.2100E**

FAST SHIP FINISHES:

- Chrome - 180.2100CP / Brushed Nickel - 180.2100BN

Legislation Compliance

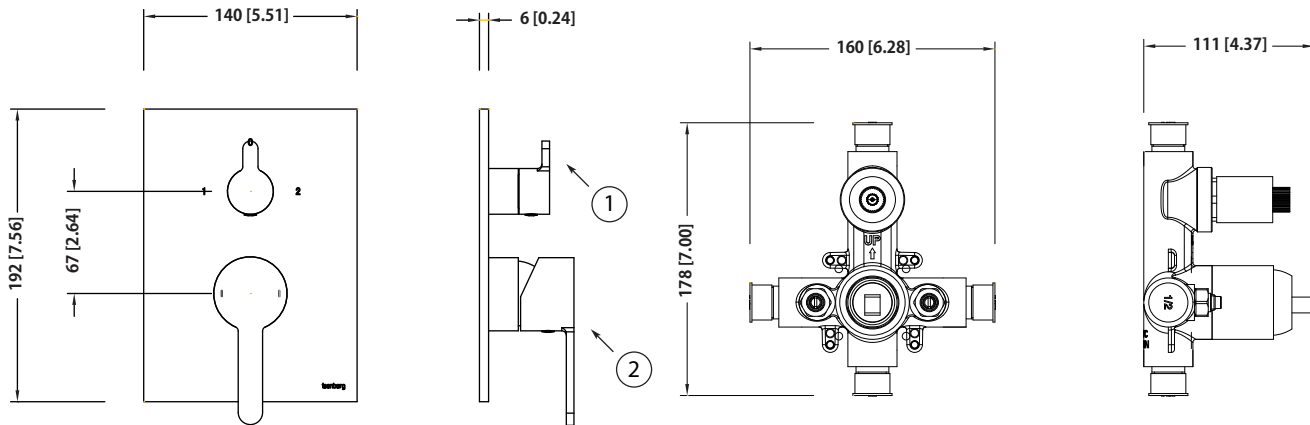


ZeroDrip Technology

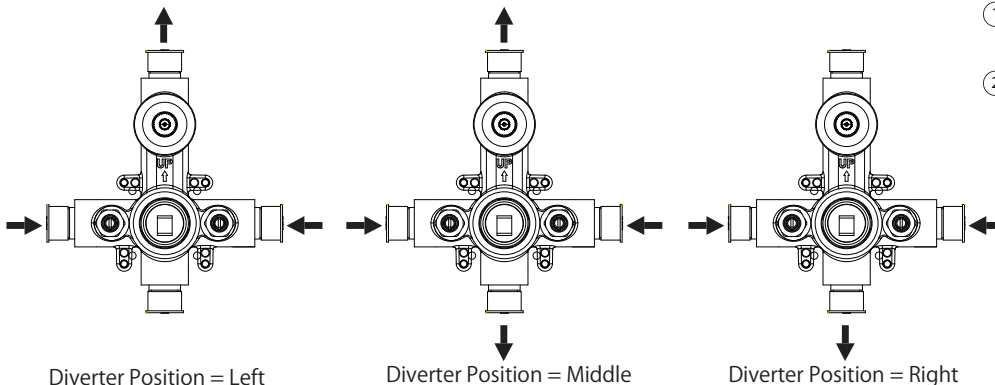


See Spec Sheet For
PBV1005A For Detailed
Information On Valve.

Technical Diagram



Water Diversion Diagram



Part Number Guide:

- ① Diverter Handle - 180.2100-1111CP - Chrome
Diverter Handle - 180.2100-1111BN - Brushed Nickel
- ② Hot-Cold Handle - 180.2100-1114CP - Chrome
Hot-Cold Handle - 180.2100-1114BN - Brushed Nickel



PBV1005A | Pressure Balance Valve With Integrated 2-Way Diverter Page 1 of 2

SPECIFICATIONS:

- Lift Handle to control volume. Turn left for hot, right for cold.
- Knob controls 2-way water diversion - shared output.
- Pressure Balance Valve Flow Rate - 5.5 GPM @ 60 PSI

FAST SHIP FINISHES :

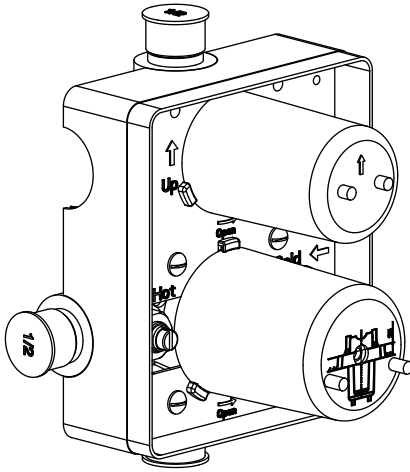
- Chrome - PBV1005ACP / Brushed Nickel - PBV1005ABN /

STANDARDS:

- ASME A112.18.1 / CSA B125.1

WARRANTY:

- Limited lifetime warranty to the original consumer purchaser against finish and workmanship



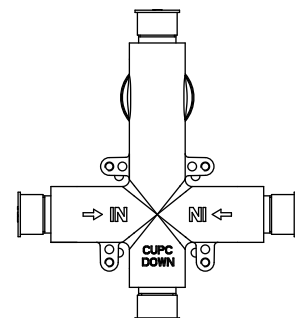
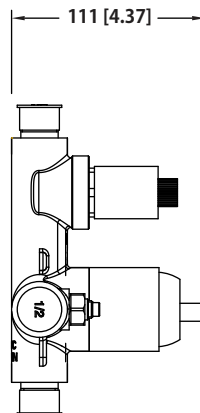
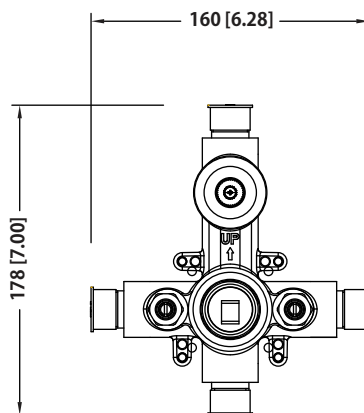
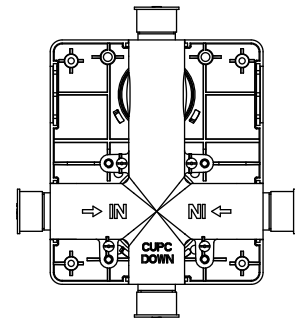
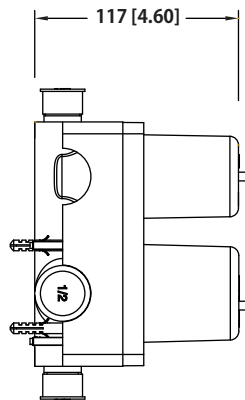
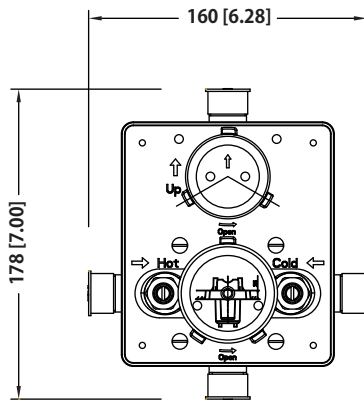
Legislation Compliance



ZeroDrip Technology



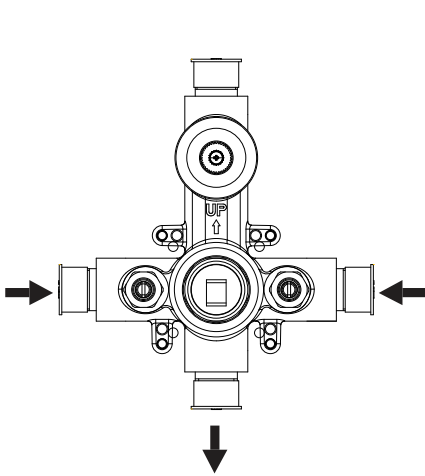
Technical Diagram



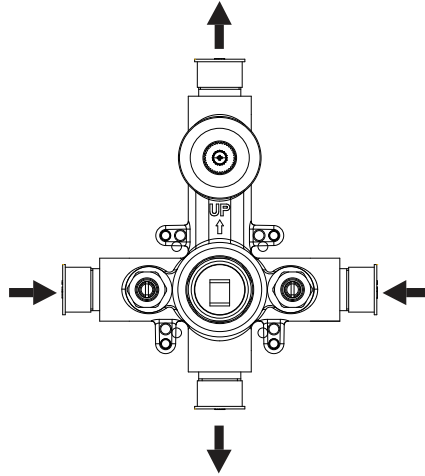
PBV1005A | Pressure Balance Valve With Integrated 2-Way Diverter Page 2 of 2



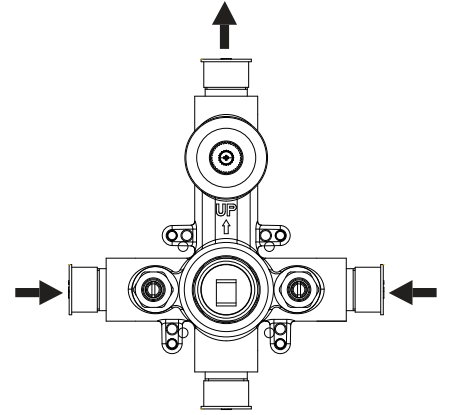
Water Diversion Diagram



Diverter Position = Left



Diverter Position = Middle
Shared Flow is Low Transition Flow



Diverter Position = Right